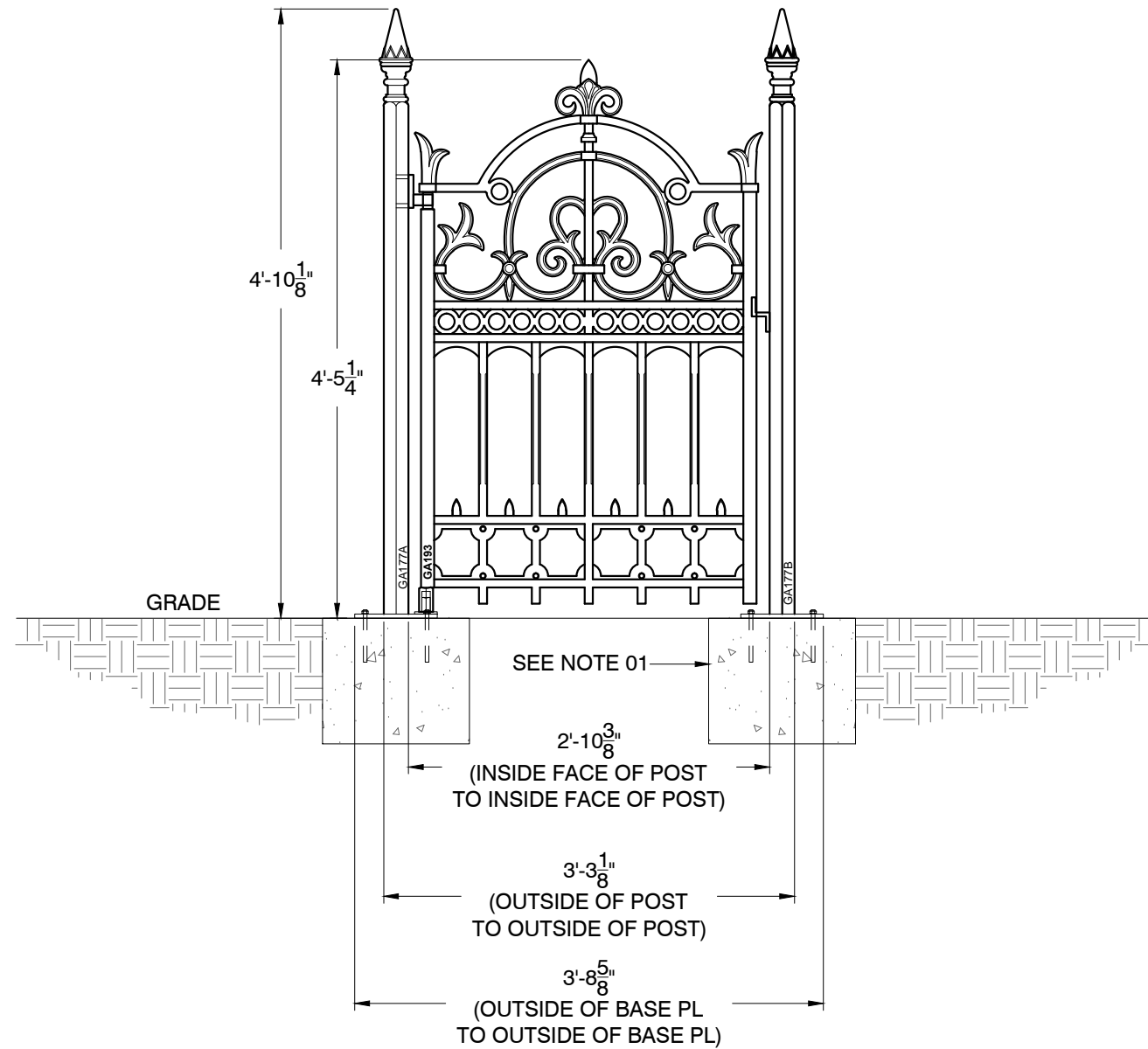


NOTES:
 01. FOOTING SIZES TO BE DETERMINED DURING TIME OF INSTALLATION. DEPTH OF FOOTING DETERMINED BY SOIL CONDITIONS / FROST LINE.



Construction
 All railing, gates and posts are crafted in solid cast iron, and are modular in design for ease of installation.

Finishing
 Components are provided with a rust-preventative universal primer basecoat, ready for application of final paint finish upon installation.

Item #	Qty.	Description	Weight
GA193	1	Imperial Pedestrian Gate	99 lbs
GA117a	1	Terrace Pedestrian Gate Post w/Hinges	64 lbs
GA117b	1	Terrace Pedestrian Gate Post w/Striker	64 lbs

Pricing	
GATE:	\$ 456.00
POSTS:	\$ 494.88
HARDWARE:	Included
MSRP:	\$ 950.88

SCALE : 3/4"=1'-0"

**IMPERIAL
 GA193-00**