

# Finely Crafted Gates and Railings

---

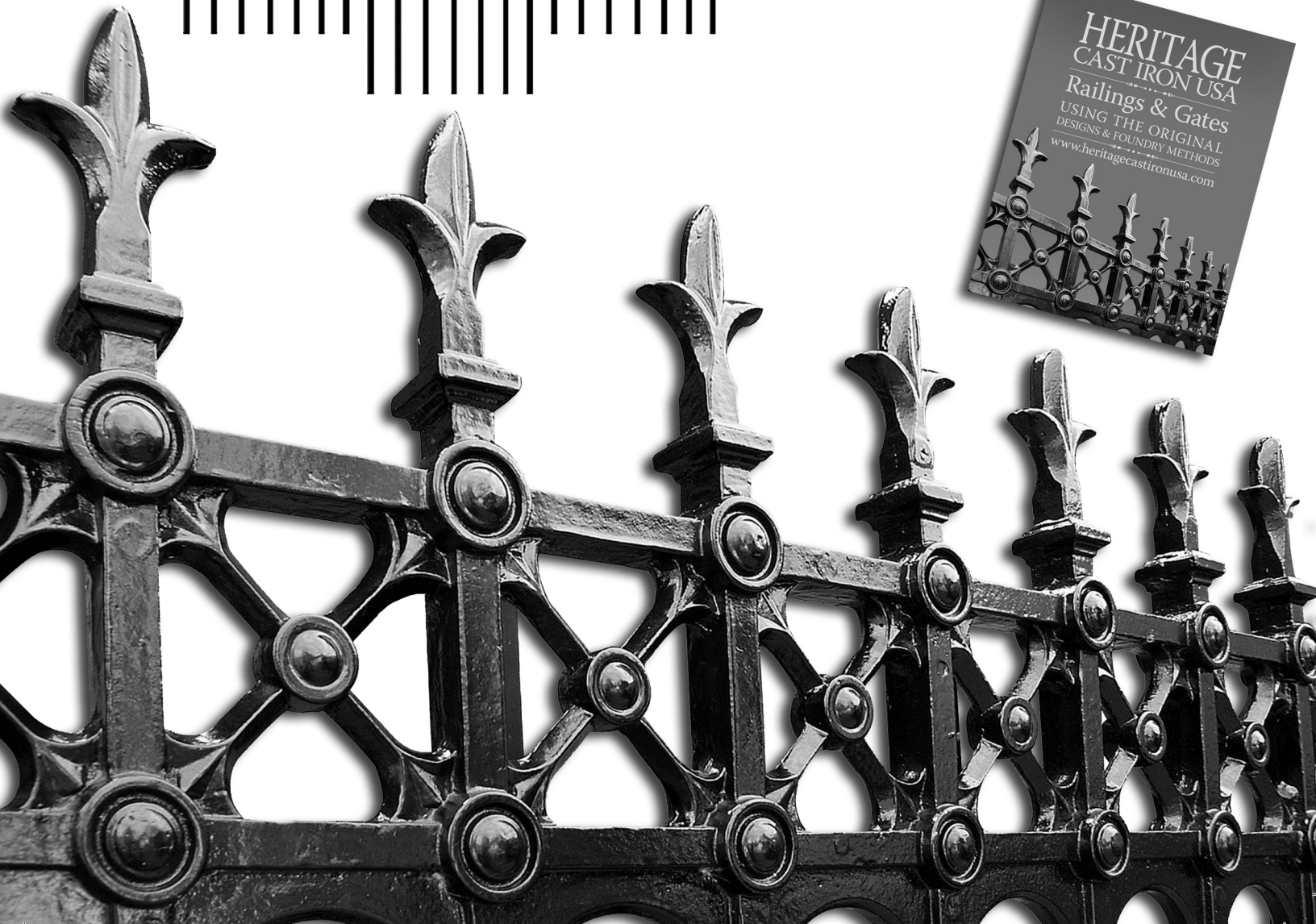
[www.heritagecastironusa.com](http://www.heritagecastironusa.com)

---

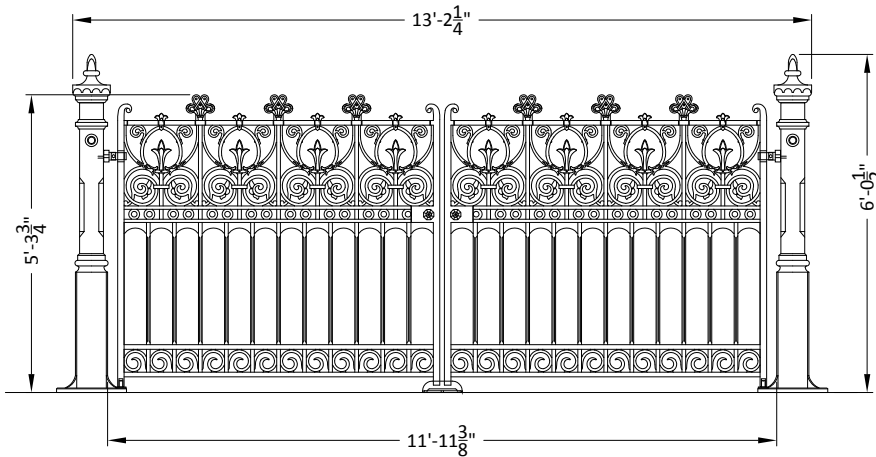
Exclusive collections of cast iron gates and railing from Heritage Cast Iron USA. We offer an extensive range that carefully replicates original Victorian designs, manufactured using traditional foundry techniques.

## HERITAGE CAST IRON USA

For a 16 page color brochure please call us at 1-877-855-4766 (IRON) Toll Free or email us at [Sales@Heritagecastironusa.com](mailto:Sales@Heritagecastironusa.com)



**Prospect Collection**



**Prospect 12' Drive Gate**

(1) GA032-Prospect 12' Drive Gate (1 Pair)	\$ 3360.00
(2) GA001-Pillar Drive Gate Posts *	\$ 2040.00
Hardware	\$ 225.60
<b>Total (m.s.r.p.):</b>	<b>\$ 5625.60</b>

\* For Pillar Root Post Fixing (GA147) Add \$ 173.28

**Gilberton 10' Drive Gate**

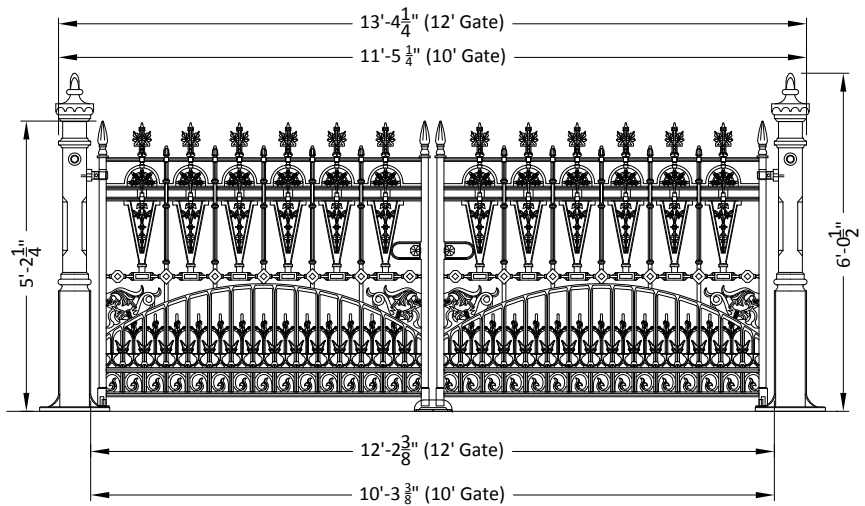
(1) GA011-Gilberton 10' Drive Gate (1 Pair)	\$ 3457.72
(2) GA001-Pillar Drive Gate Posts *	\$ 2040.00
Hardware	\$ 225.60
<b>Total (m.s.r.p.):</b>	<b>\$ 5723.32</b>

\* For Pillar Root Post Fixing (GA147) Add \$ 173.28

**Gilberton 12' Drive Gate**

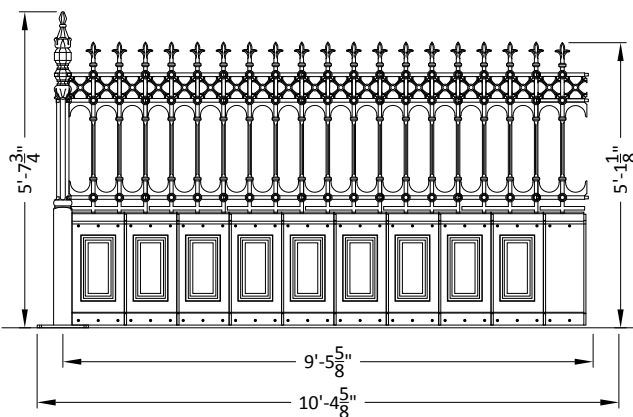
(1) GA012-Gilberton 12' Drive Gate (1 Pair)	\$ 4080.00
(2) GA001-Pillar Drive Gate Posts *	\$ 2040.00
Hardware	\$ 225.60
<b>Total (m.s.r.p.):</b>	<b>\$ 6345.60</b>

\* For Pillar Root Post Fixing (GA147) Add \$ 173.28



**Gilberton Collection**

**Stewart Wall Collection**

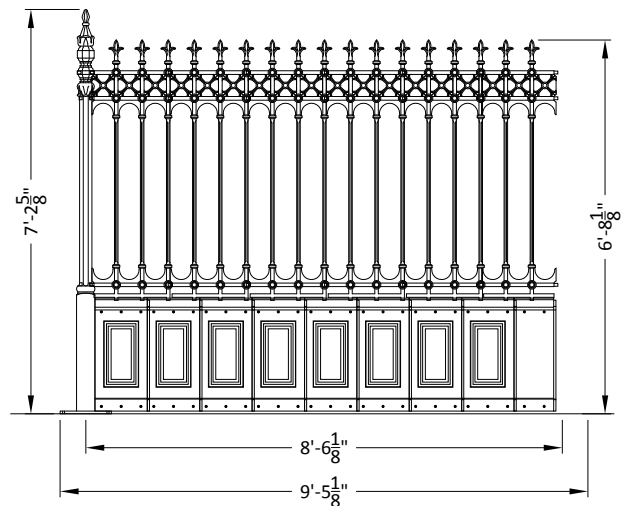


**Stewart Half Height Railing With Cast Wall System**

- (1) GA002-Stewart Full Height Post
- (6) GA008b-Stewart Half Height Railing Panel w/Cast Wall Top Fixing
- (1) GA017b-Stewart Half Height Joiner Panel w/Cast Wall Top Fixing
- (18) GA170-Cast Wall Panel
- (2) GA171-Cast Wall Panel Spacer

\$ 404.29 / FT. (m.s.r.p.)

**Stirling Wall Collection**

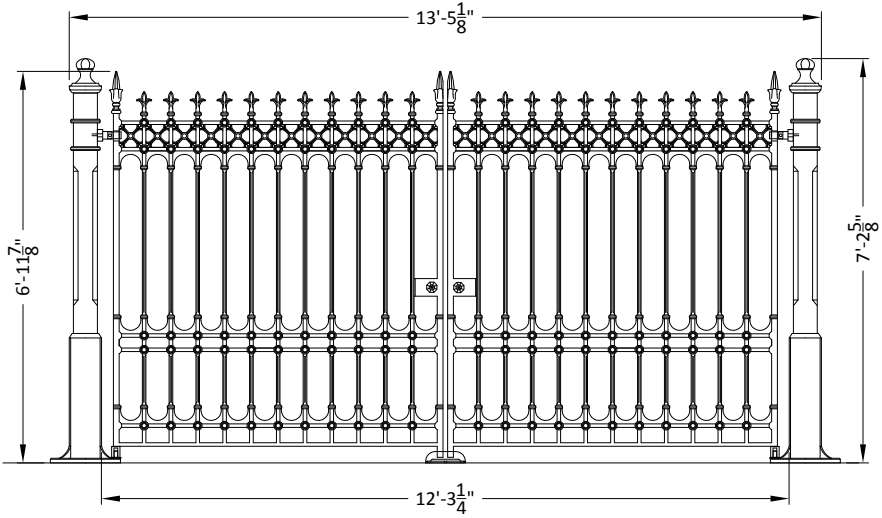


**Stirling Half Height Railing With Cast Wall System**

- (1) GA031-Stirling Full Height Post
- (5) GA118b-Stirling Half Height Railing Panel w/Cast Wall Top Fixing
- (1) GA120b-Stirling Half Height Joiner Panel w/Cast Wall Top Fixing
- (16) GA170-Cast Wall Panel
- (2) GA171-Cast Wall Panel Spacer

\$ 468.28 / FT. (m.s.r.p.)

Stirling Collection



**Stirling 12' Drive Gate**

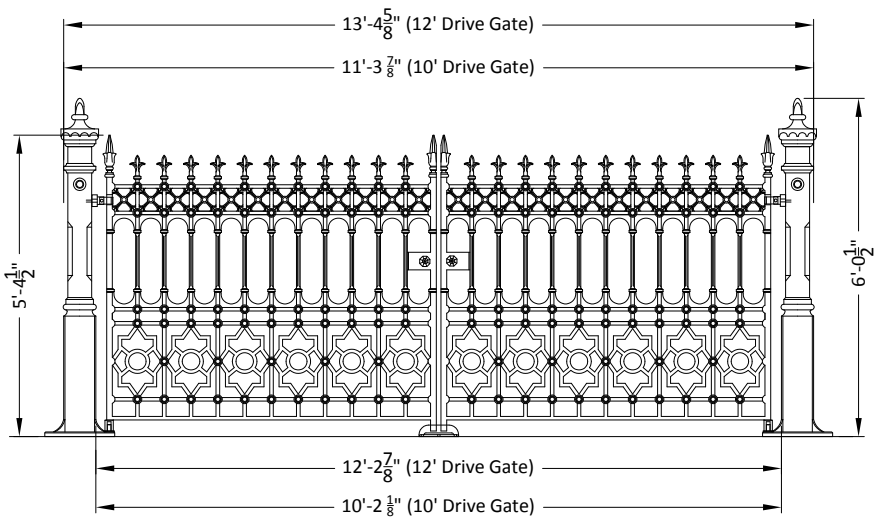
(1) GA025-Stirling 12' Drive Gate (1 Pair)	\$ 5056.94
(2) GA026-Stirling Drive Gate Posts * Hardware	\$ 2333.92 \$ 225.60
<b>Total (m.s.r.p.):</b>	<b>\$ 7616.46</b>

\* For Stirling Root Post Fixing (GA153) Add \$ 1320.12

**Stewart 10' Drive Gate**

(1) GA005-Stewart 10' Drive Gate (1 Pair)	\$ 3025.52
(2) GA001-Pillar Drive Gate Posts * Hardware	\$ 2040.00 \$ 225.60
<b>Total (m.s.r.p.):</b>	<b>\$ 5291.12</b>

\* For Pillar Root Post Fixing (GA147) Add \$ 173.28



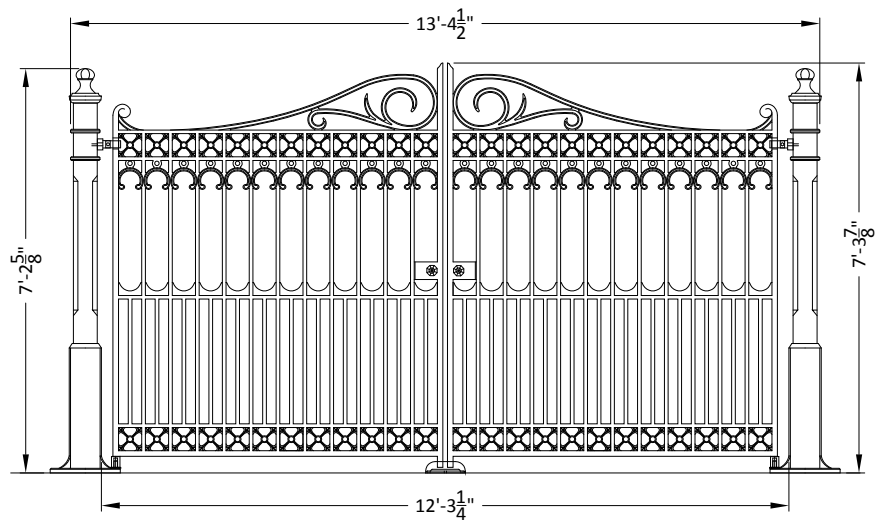
Stewart Collection

**Stewart 12' Drive Gate**

(1) GA006-Stewart 12' Drive Gate (1 Pair)	\$ 3889.97
(2) GA001-Pillar Drive Gate Posts * Hardware	\$ 2040.00 \$ 225.60
<b>Total (m.s.r.p.):</b>	<b>\$ 6155.57</b>

\* For Pillar Root Post Fixing (GA147) Add \$ 173.28

Richmond Collection

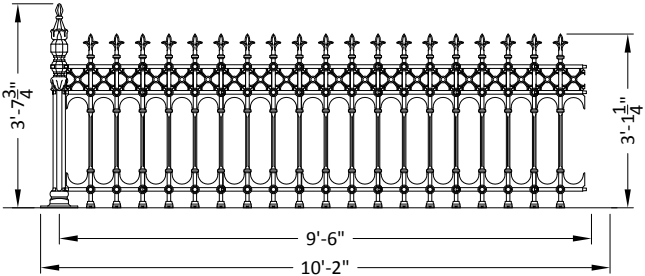


**Richmond 12' Drive Gate**

(1) GA185-Richmond 12' Drive Gate (1 Pair)	\$ 5056.94
(2) GA026-Stirling Drive Gate Posts * Hardware	\$ 2333.92 \$ 225.60
<b>Total (m.s.r.p.):</b>	<b>\$ 7616.46</b>

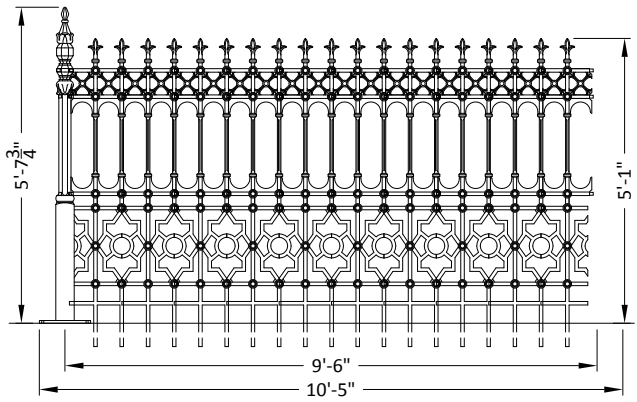
\* For Stirling Root Post Fixing (GA153) Add \$ 1320.12

Stewart Collection



**Stewart Half Height Railing**  
 (1) GA003-Stewart Half Height Railing Posts  
 (6) GA008a-Stewart Half Height Railing Panel with Feet  
 (1) GA017a-Stewart Half Height Joiner Panel With Feet  
 \$ 128.57 / FT. (m.s.r.p.)

Single Half Height Railing Stay Suggested Or As Necessary To Suit Installation

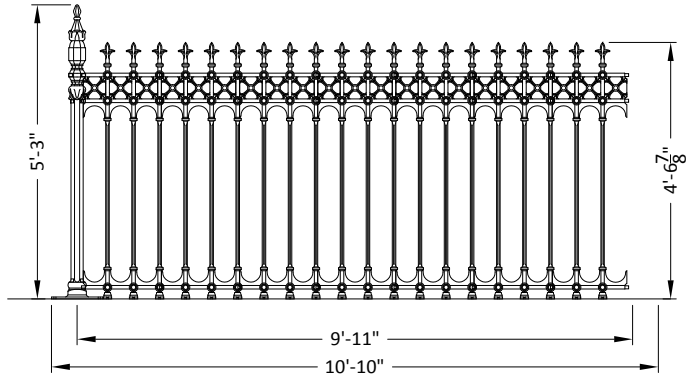


**Stewart Full Height Railing (Root Fixing Panels)**  
 (1) GA002-Stewart Full Height Railing Posts  
 (9) GA009-Stewart Full Height Railing Panel With Root Fixing  
 (1) GA018-Stewart Full Height Joiner Panel With Root Fixing  
 \$ 234.23 / FT. (m.s.r.p.)

Single Full Height Railing Stay Suggested Or As Necessary To Suit Installation

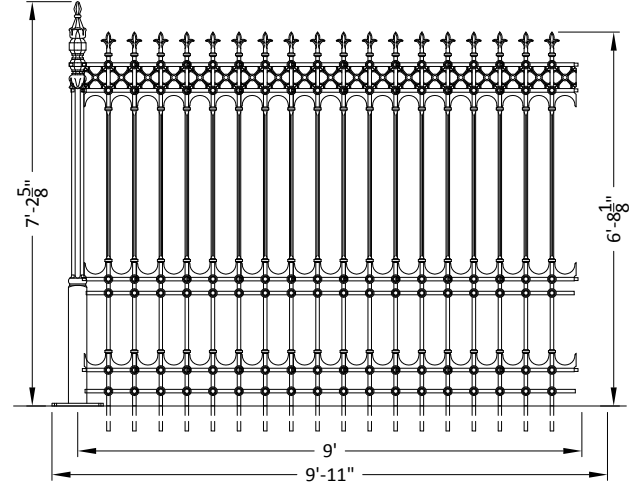
Stewart Collection

Stirling Collection



**Stirling Half Height Railing**  
 (1) GA122-Stirling Half Height Railing Posts  
 (6) GA118a-Stirling Half Height Railing Panel With Feet  
 (1) GA120a-Stirling Half Height Joiner Panel With Feet  
 \$ 237.71 / FT. (m.s.r.p.)

Single Half Height Railing Stay Suggested Or As Necessary To Suit Installation

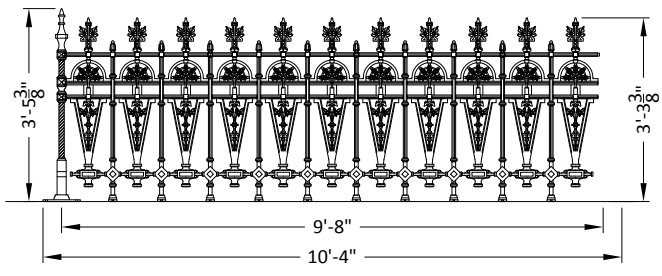


**Stirling Full Height Railing (Root Fixing Panels)**  
 (1) GA031-Stirling Full Height Railing Posts  
 (8) GA030-Stirling Full Hgt Railing Panel With Root Fixing  
 (1) GA027-Stirling Full Hgt Joiner Panel With Root Fixing  
 \$ 350.00 / FT. (m.s.r.p.)

Single Full Height Railing Stay Suggested Or As Necessary To Suit Installation

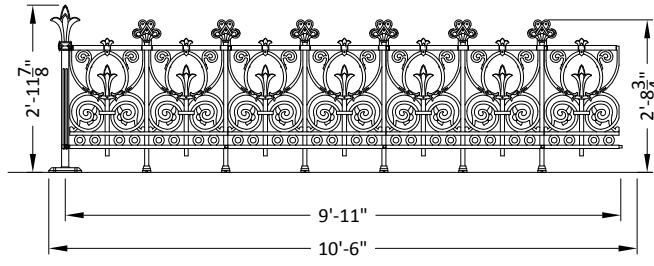
Stirling Collection

Gilberton Collection



**Gilberton Railing**  
 (1) GA130-Gilberton Railing Posts  
 (3) GA013a-Gilberton Railing Panel With Feet  
 (1) GA129a-Gilberton Railing Joiner Panel With Feet  
 \$ 137.81 / FT. (m.s.r.p.)

Single Half Height Railing Stay Suggested Or As Necessary To Suit Installation

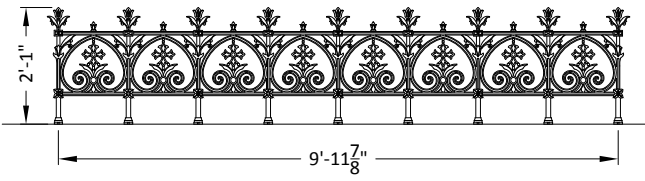


**Prospect Railing**  
 (1) GA136-Prospect Railing Posts  
 (3) GA133a-Prospect Railing Panel With Feet  
 (1) GA134a-Prospect Railing Joiner Panel  
 \$ 125.32 / FT. (m.s.r.p.)

Single Half Height Railing Stay Suggested Or As Necessary To Suit Installation

Prospect Collection

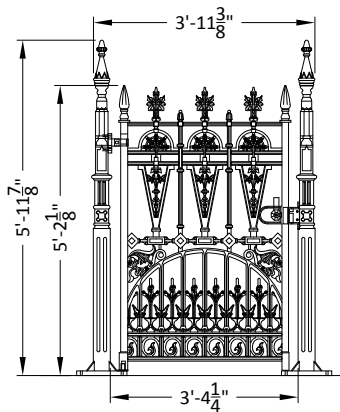
Terrace Collection



**Terrace Railing**  
 (1) GA139-Terrace Railing Post  
 (4) GA184-Terrace Railing Panel with Feet  
 \$ 63.36 / FT. (m.s.r.p.)

Single Half Height Railing Stay Suggested Or As Necessary To Suit Installation

Gilberton Collection



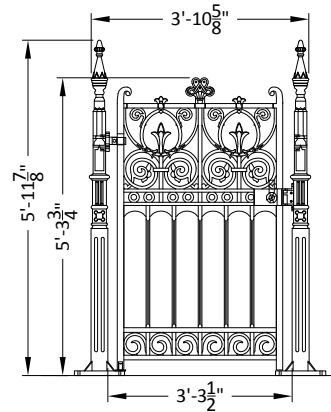
Gilberton 3' Pedestrian Gate w/Gothic Posts

(1) GA010-Gilberton 3' Pedestrian Gate	\$ 1037.32
(2) GA035-Gothic Pedestrian Gate Posts *	\$ 2148.96
Hardware	\$ 110.40
Total (m.s.r.p.):	<u>\$ 3296.68</u>
* For Gothic Root Post Fixing (GA151) Add \$ 565.44	

Gilberton 3' Pedestrian Gate w/School Posts

(1) GA010-Gilberton 3' Pedestrian Gate	\$ 1037.32
(2) GA149-School Pedestrian Gate Posts *	\$ 1220.92
Hardware	\$ 110.40
Total (m.s.r.p.):	<u>\$ 2368.64</u>
* For School Root Posts Fixing (GA004) Add \$ 362.50	

Prospect Collection



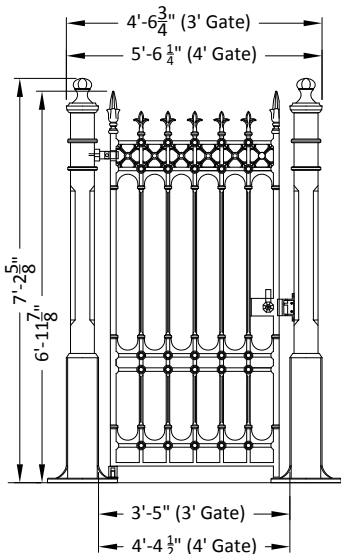
Prospect 3' Pedestrian Gate w/Gothic Posts

(1) GA034-Prospect 3' Pedestrian Gate	\$ 888.00
(2) GA035-Gothic Pedestrian Gate Posts *	\$ 2148.96
Hardware	\$ 110.40
Total (m.s.r.p.):	<u>\$ 3147.36</u>
* For Gothic Root Post Fixing (GA151) Add \$ 565.44	

Prospect 3' Pedestrian Gate w/School Posts

(1) GA034-Prospect 3' Pedestrian Gate	\$ 888.00
(2) GA149-School Pedestrian Gate Posts *	\$ 1220.92
Hardware	\$ 110.40
Total (m.s.r.p.):	<u>\$ 2219.32</u>
* For School Root Posts Fixing (GA004) Add \$ 362.50	

Stirling Collection



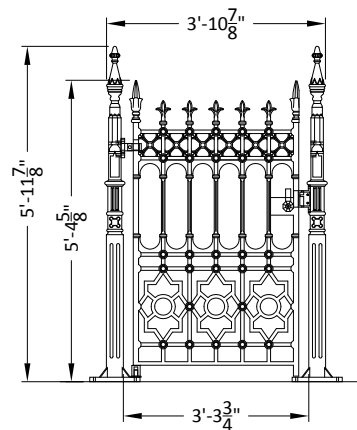
Stirling 3' Pedestrian Gate

(1) GA028-Stirling 3' Pedestrian Gate	\$ 1320.67
(2) GA026-Stirling Driveway Gate Posts *	\$ 2333.92
Hardware	\$ 110.40
Total (m.s.r.p.):	<u>\$ 3764.99</u>
* For Stirling Root Posts Fixing (GA153) Add \$ 1320.12	

Stirling 4' Pedestrian Gate

(1) GA114-Stirling 4' Pedestrian Gate	\$ 1624.80
(2) GA026-Stirling Driveway Gate Posts *	\$ 2333.92
Hardware	\$ 110.40
Total (m.s.r.p.):	<u>\$ 4069.12</u>
* For Stirling Root Posts Fixing (GA153) Add \$ 1320.12	

Stewart Collection



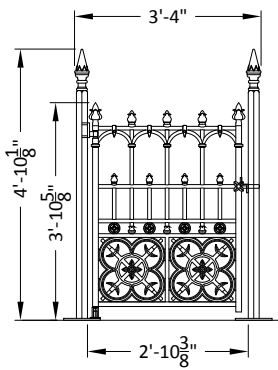
Stewart 3' Pedestrian Gate w/Gothic Posts

(1) GA007-Stewart 3' Pedestrian Gate	\$ 1037.33
(2) GA035-Gothic Pedestrian Gate Posts *	\$ 2148.96
Hardware	\$ 110.40
Total (m.s.r.p.):	<u>\$ 3296.69</u>
* For Gothic Root Post Fixing (GA151) Add \$ 565.44	

Stewart 3' Pedestrian Gate w/School Posts

(1) GA007-Stewart 3' Pedestrian Gate	\$ 1037.33
(2) GA149-School Pedestrian Gate Posts *	\$ 1220.92
Hardware	\$ 110.40
Total (m.s.r.p.):	<u>\$ 2368.65</u>
* For School Root Posts Fixing (GA004) Add \$ 362.50	

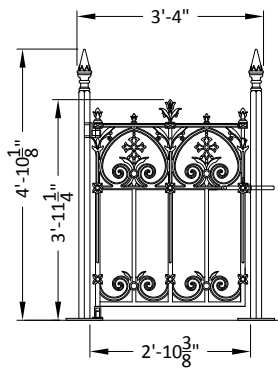
## Colwyn Collection



Colwyn Pedestrian Gate Kit

(1) GA191-Colwyn Pedestrian Gate	\$ 456.00
(1) GA177a-Terrace Gate Post w/Hinge	\$ 247.44
(1) GA177b-Terrace Gate Post w/Striker	\$ 247.44
<b>Total (m.s.r.p.):</b>	<b>\$ 950.88</b>

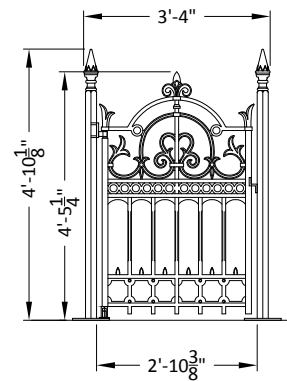
## Terrace Collection



Terrace Pedestrian Gate Kit

(1) GA137-Terrace Pedestrian Gate	\$ 432.00
(1) GA177a-Terrace Gate Post w/Hinge	\$ 247.44
(1) GA177b-Terrace Gate Post w/Striker	\$ 247.44
<b>Total (m.s.r.p.):</b>	<b>\$ 926.88</b>

## Imperial Collection

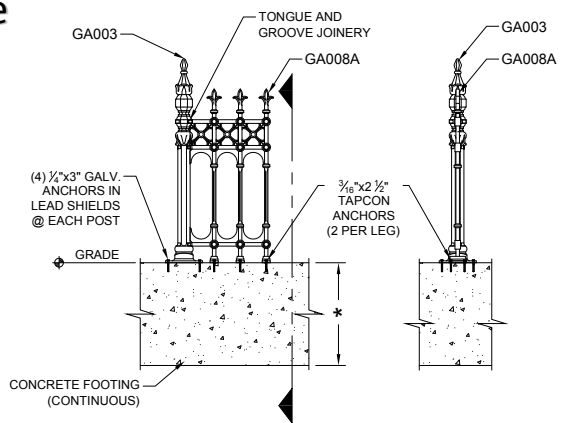


Imperial Pedestrian Gate Kit

(1) GA193-Imperial Pedestrian Gate	\$ 456.00
(1) GA177a-Terrace Gate Post w/Hinge	\$ 247.44
(1) GA177b-Terrace Gate Post w/Striker	\$ 247.44
<b>Total (m.s.r.p.):</b>	<b>\$ 950.88</b>

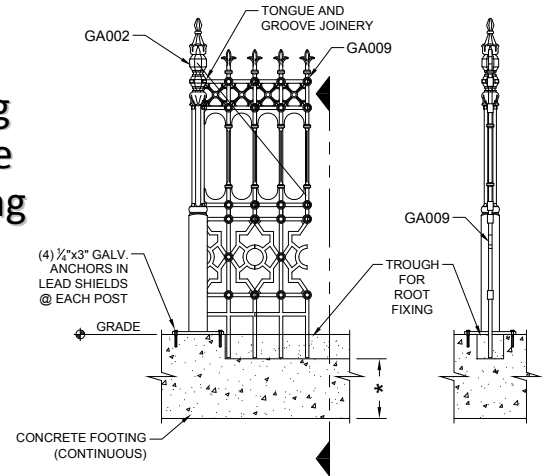
## Surface Mount and Root Fixing Examples

### Surface Mount Fence Railing



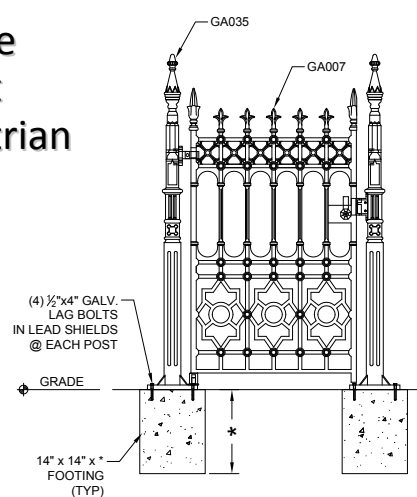
\* DEPENDS ON SOIL CONDITIONS / FROST LINE

### Root Fixing Fence Railing



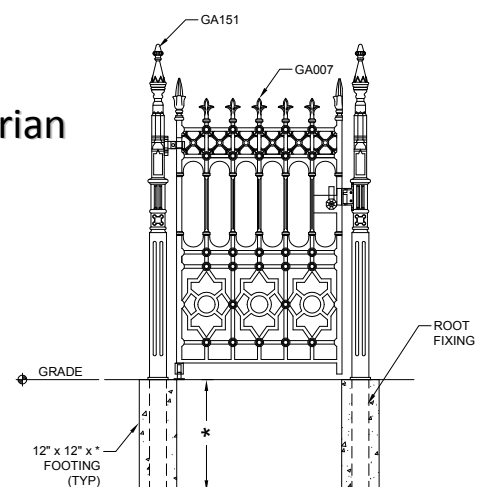
\* DEPENDS ON SOIL CONDITIONS / FROST LINE

### Surface Mount Pedestrian Gate



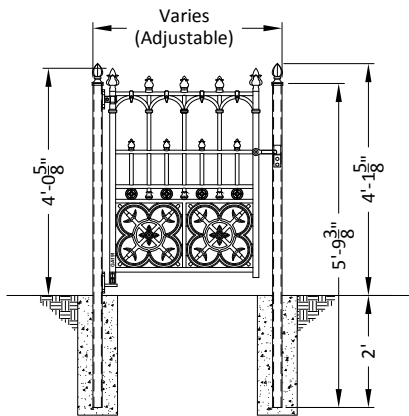
\* DEPENDS ON SOIL CONDITIONS / FROST LINE

### Root Fixing Pedestrian Gate



\* DEPENDS ON SOIL CONDITIONS / FROST LINE

Colwyn Collection



Shown:

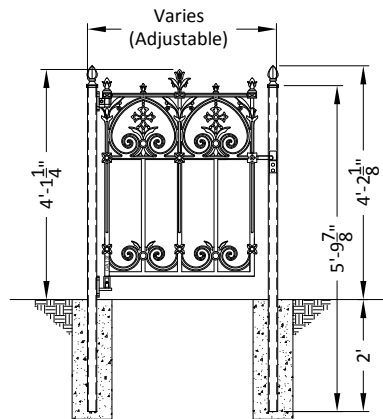
Colwyn Pedestrian Gate Kit with 2" Steel Posts

(1) GA191-Colwyn Pedestrian Gate	\$ 456.00
(2) GA186- 2" Sq. x 3/16" Posts	\$ 99.00
(1) Hardware (Hinge, Pivot, Handle, Latch)	\$ 99.00
<b>Total (m.s.r.p.):</b>	<b>\$ 654.00</b>

**Colwyn Pedestrian Gates Ready to Install in Your Existing Opening or Onto Your Wood Posts!**

Total (m.s.r.p.): \$ 555.00

Terrace Collection



Shown:

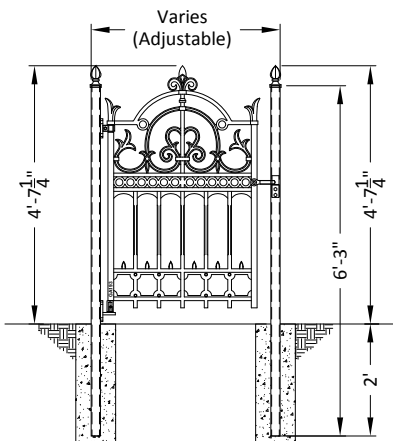
Terrace Pedestrian Gate Kit with 2" Steel Posts

(1) GA137-Terrace Pedestrian Gate	\$ 432.00
(2) GA186- 2" Sq. x 3/16" Posts	\$ 99.00
(1) Hardware (Hinge, Pivot, Handle, Latch)	\$ 99.00
<b>Total (m.s.r.p.):</b>	<b>\$ 630.00</b>

**Terrace Pedestrian Gates Ready to Install in Your Existing Opening or Onto Your Wood Posts!**

Total (m.s.r.p.): \$ 531.00

Imperial Collection



Shown:

Imperial Pedestrian Gate Kit with 2" Steel Posts

(1) GA193-Imperial Pedestrian Gate	\$ 456.00
(2) GA186- 2" Sq. x 3/16" Posts	\$ 99.00
(1) Hardware (Hinge, Pivot, Handle, Latch)	\$ 99.00
<b>Total (m.s.r.p.):</b>	<b>\$ 654.00</b>

**Imperial Pedestrian Gates Ready to Install in Your Existing Opening or Onto Your Wood Posts!**

Total (m.s.r.p.): \$ 555.00

## Twenty-Five Year Limited Warranty Certificate

This Limited Warranty is issued by **Heritage Cast Iron USA, LLC** (“HCIUSA”) to \_\_\_\_\_ (“Owner”) and covers the cast iron products listed on the reverse of this Certificate (“the Products”).

This Limited Warranty is effective as of the date of delivery of the Products to Owner (“the Effective Date”).

Subject to the following limitations and conditions, HCIUSA warrants to the Owner that the Products are new and warrants the structural integrity of the Products for TWENTY-FIVE YEARS from the Effective Date (“the Warranty Period”).

1. This Limited Warranty does not apply to any Product finishes.
2. This Limited Warranty does not apply to products which were damaged in transit or during installation.
3. This Limited Warranty does not apply to any damage to the Products caused by any external force such as a vehicle collision, vandalism, earthquake, falling limbs or other natural or manmade disasters.
4. This Limited Warranty is voided by the improper installation of the Products, such as inadequate footings, or by using the products in a manner for which they are not designed or intended, and by any relocation of the Products.
5. If the Owner transfers the real property upon which the Products are installed during the Warranty Period, this Limited Warranty shall be deemed to be automatically assigned by the Owner to the transferee of the property (“the Transferee”).
6. This Limited Warranty shall only cover claims which have been documented with pictures and submitted in writing to HCIUSA by the Owner or Transferee within the Warranty Period.
7. Claims submitted by a Transferee shall include proof of ownership of the real property upon which the Products are installed.
8. The obligation of HCIUSA under this Limited Warranty shall be limited to the repair or replacement of the Products and associated freight expenses, and HCIUSA shall not be liable to the Owner, Transferee or any third party for costs incurred to remove or reinstall the Products, loss of use, or any other consequential damages.
9. Except for this Limited Warranty, HCIUSA disclaims all warranties related to the Products, express or implied, including merchantability and fitness for use.

**Heritage Cast Iron USA, LLC**

By: \_\_\_\_\_ Dated: \_\_\_\_\_