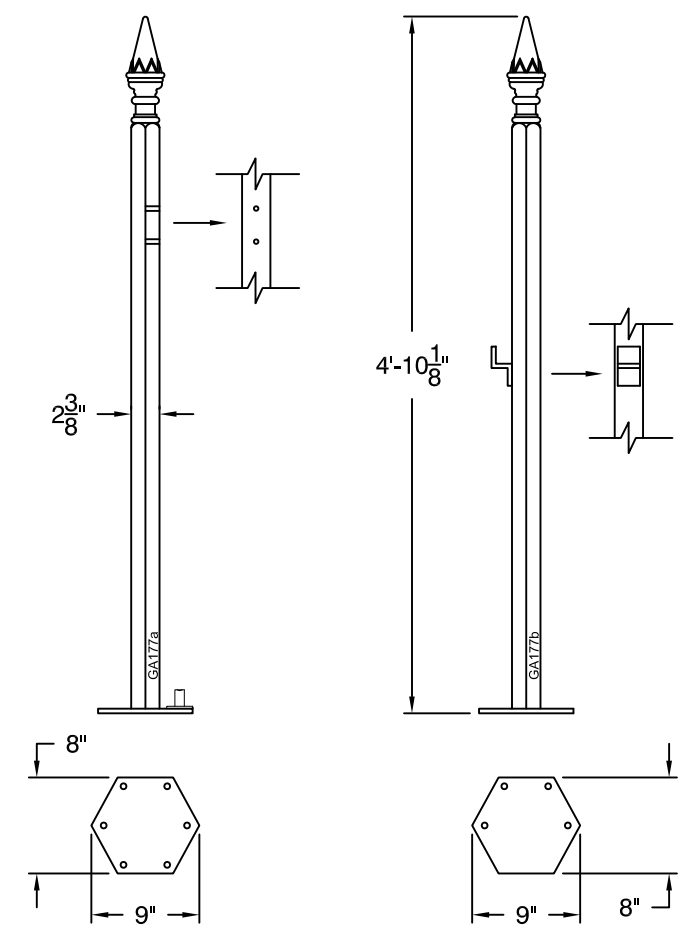
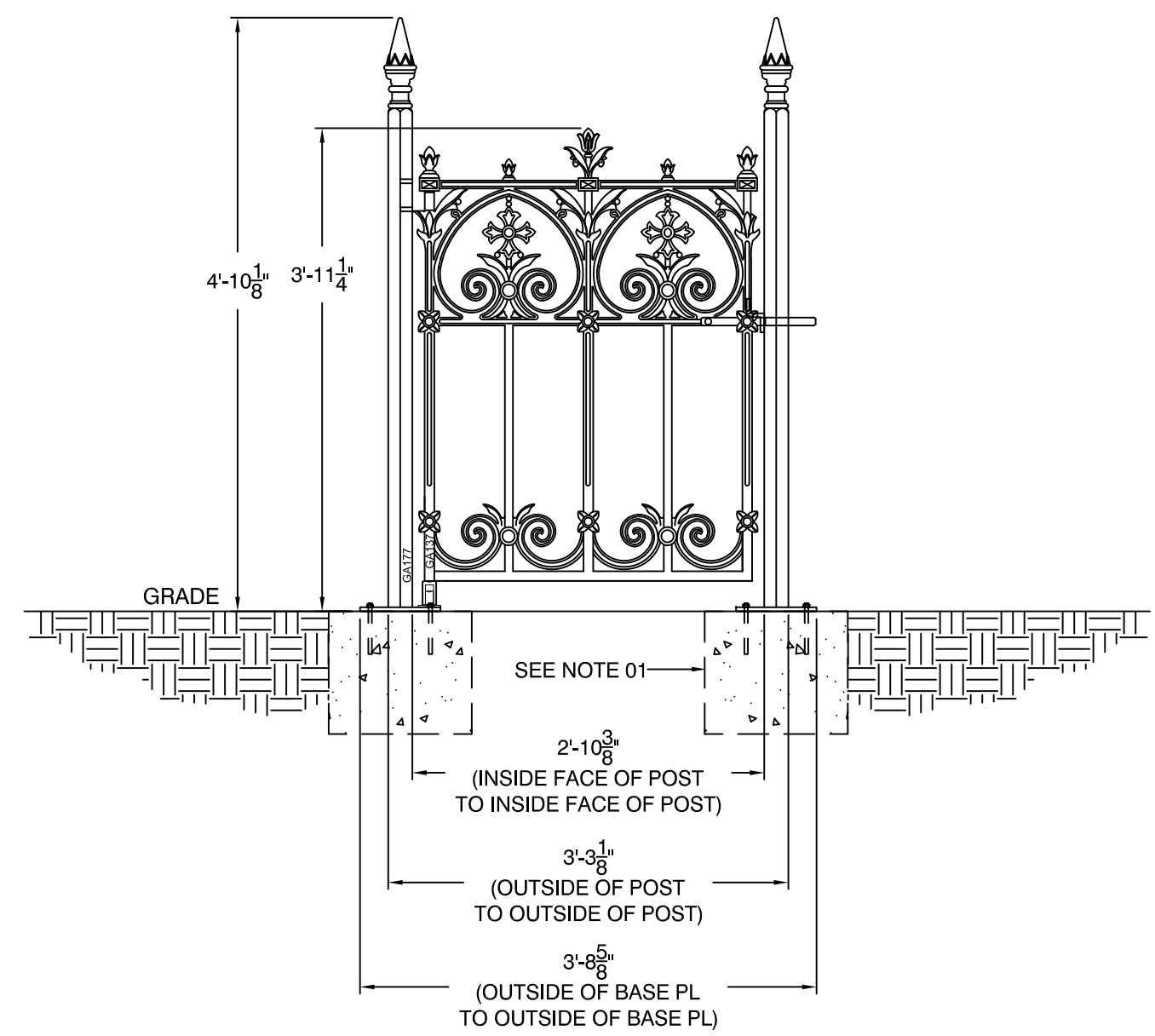
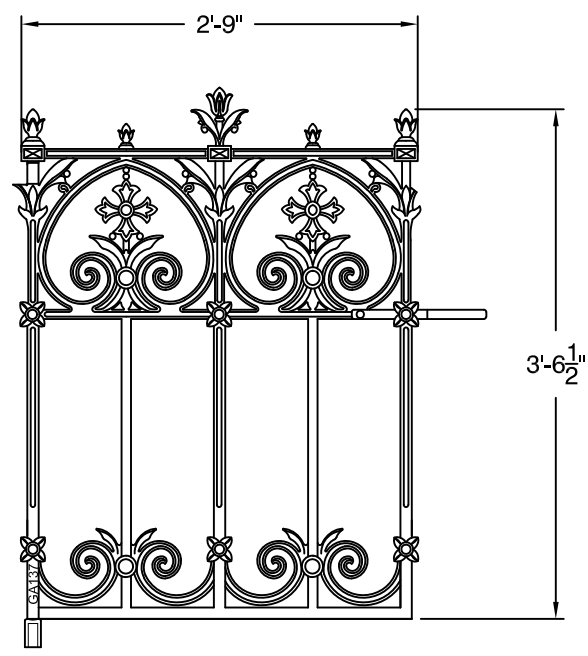


NOTES:  
 01. FOOTING SIZES TO BE DETERMINED DURING TIME OF INSTALLATION. DEPTH OF FOOTING DETERMINED BY SOIL CONDITIONS / FROST LINE.



**Construction**  
 All railing, gates and posts are crafted in solid cast iron, and are modular in design for ease of installation.

**Finishing**  
 Components are provided with a rust-preventative universal primer basecoat, ready for application of final paint finish upon installation.

Item #	Qty.	Description	Weight
GA137	1	Terrace Pedestrian Gate	99 lbs
GA177a	1	Terrace Pedestrian Gate Post w/Hinges	64 lbs
GA177b	1	Terrace Pedestrian Gate Post w/Striker	64 lbs

SCALE : 3/4"=1'-0"

TERRACE  
 GA137-00